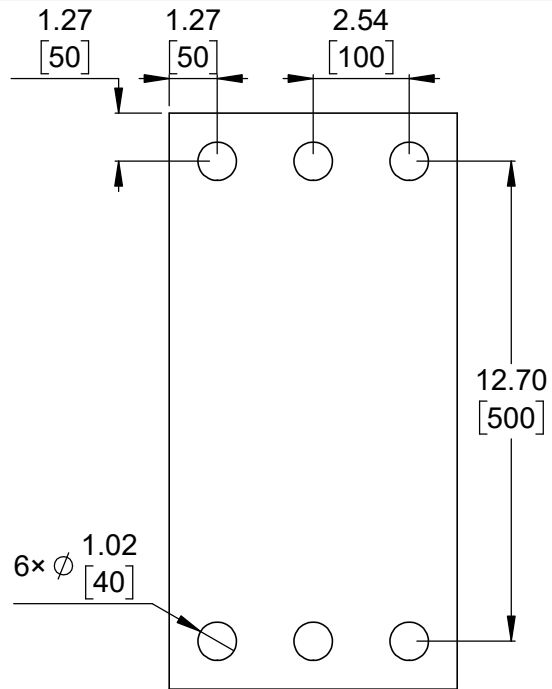
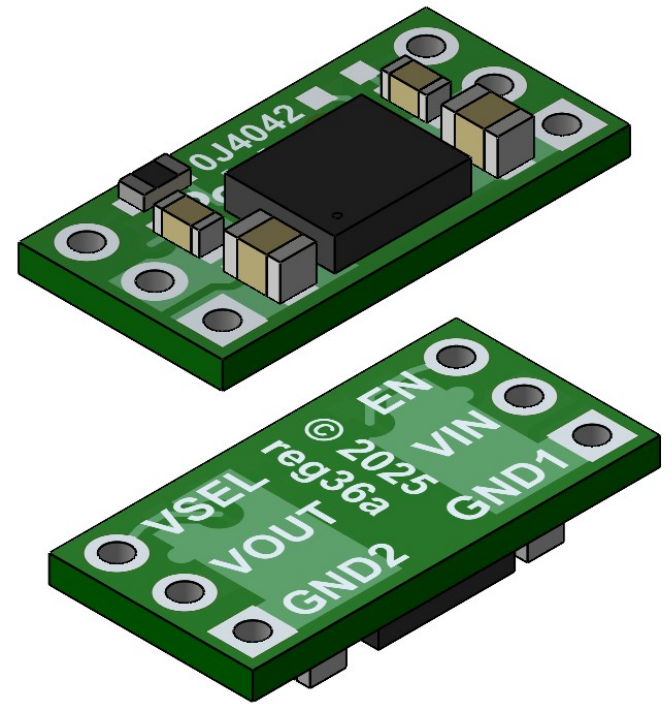


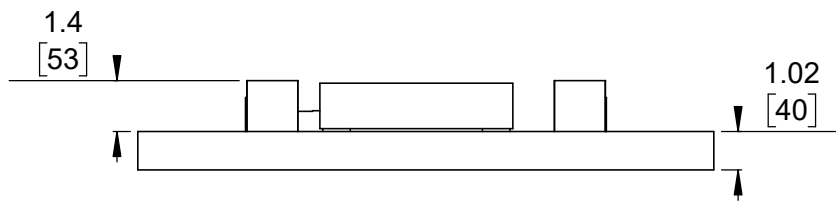
① Board dimensions (top view)
Scale 5:1



② Connector callouts (bottom view)
Scale 5:1



③ Isometric view
Scale 5:1



④ Profile
Scale 5:1



⑤ Actual size
Scale 1:1

1. To get the specified scale, select 100% in print settings.
2. Drill location tolerance: ± 0.1 [± 5].
3. Board edge tolerance: ± 0.3 [± 10].

<https://www.pololu.com/product/5384>

Name: MIE1W0505BGLVH Isolated DC Power Module, 5V/3.3V, 200mA		Item number: 5384	
Drawing date: 11 December 2025		Dev code: reg36a	
Units: mm [mil]	Material: mixed		

